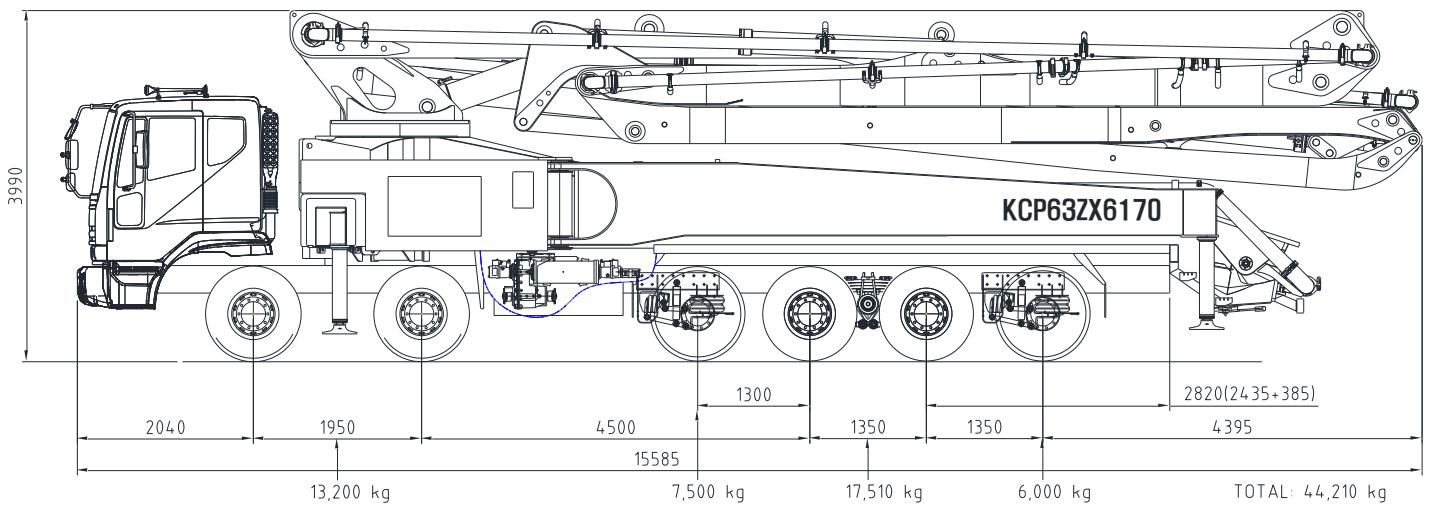


Our Pride ...

KCP63ZX6170

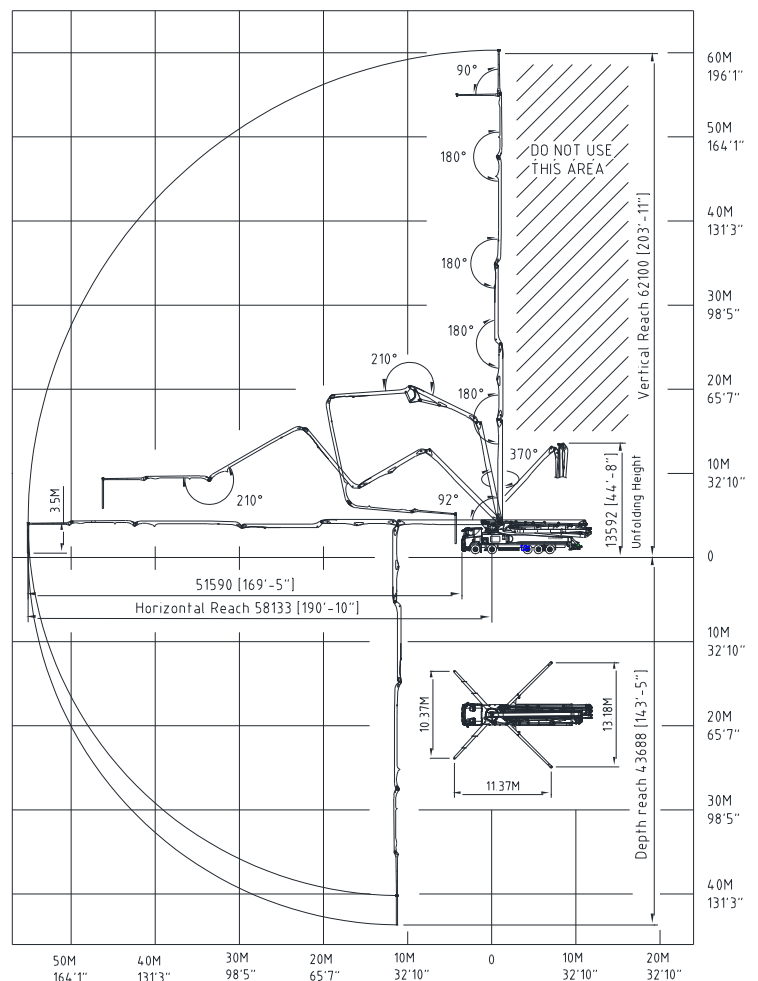


▣ Boom specifications

Vertical reach	60.3M
Horizontal reach	55M
Reach from front of truck	51.5M
Unfolding height	13.6M
Section articulation	92°/180°/210°/180°/210°/90°
Rotation	370°
Delivery line	125 mm
Proportional boom	Yes
End hose length	3.5M
Outrigger spread-front	10.4 M
Outrigger spread-rear	13.2 M
Max. outrigger weight	42,500kg

- ◎ Truck specifications : DW NOVUS CR9CC(EURO5)
- ◎ Maximum theoretical values listed.
- ◎ Photos and drawings are for illustrative purpose only
- ◎ Right to make technical amendments reserved

▣ Working diagram



▣ Pump specifications

Maximum output	170 m ³ /h
Concrete cylinder	Ø230×2100
Stroke per minute	33
Concrete pressure	87 bar
Hopper capacity	0.6 m ³
S-tube	Ø200×Ø180
Hydraulic pump	Rexroth A20VLO190
Cycling system	Hydraulic with manual overrides
Max. aggregate size	40 mm